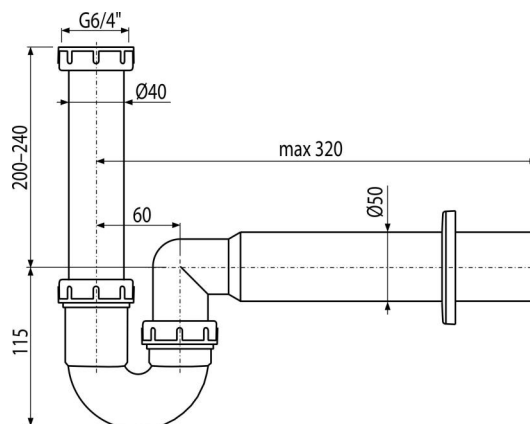


# A80-DN50

Pipe trap with coupling nut 6/4"



### Application

For sink

### Features

- Material: polypropylene
- Connection to waste pipe Ø50 mm

### Scope of supply

- Nut to connect sink waste 6/4"
- Plastic rosette
- Waste and trap body

### Order number, Logistic information

Code	EAN	Weight (piece   packing   palett)	Dimensions (piece   packing)	Quantity (packing   palett)
A80-DN50	8594045936735	50 mm 0,27   4,11   173,6 kg	310x80x200   590x240x390 mm	15   560 pcs

### Warranty

2/3 years \*

### Norms

EN 274

### Technical specifications

- Flow rate 60 l/min
- Thermal resistance 95 °C
- Odour trap 64 mm