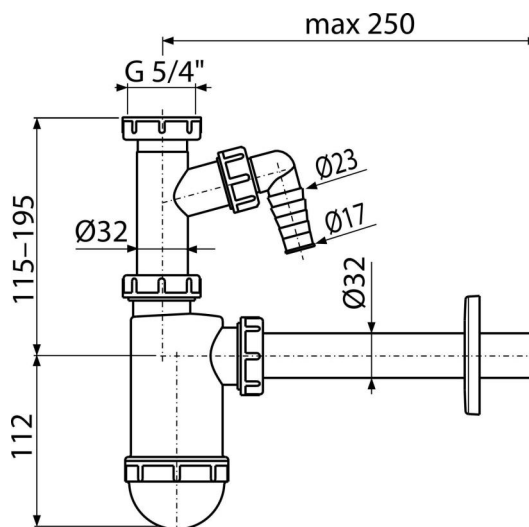


A430P

Wash-basin trap DN32 with connector and coupling nut 5/4"



Application

For wash-basin

Features

- Material: polypropylene
- Connection to waste pipe Ø32 mm
- With connector for washing machine or dishwasher

Scope of supply

- Nut to connect wash-basin waste 5/4"
- Plastic rosette
- Sink trap body with connector

Order number, Logistic information

Code	EAN	Weight (piece packing palett)	Dimensions (piece packing)	Quantity (packing palett)
A430P	8594045937008	0,24 5,92 185,6 kg	220x80x140 590x240x390 mm	25 700 pcs

Warranty

2/3 years *

Norms

EN 274

Technical specifications

- Hose connector 17-23 mm
- Flow rate 38 l/min
- Thermal resistance 95 °C
- Odour trap 58 mm