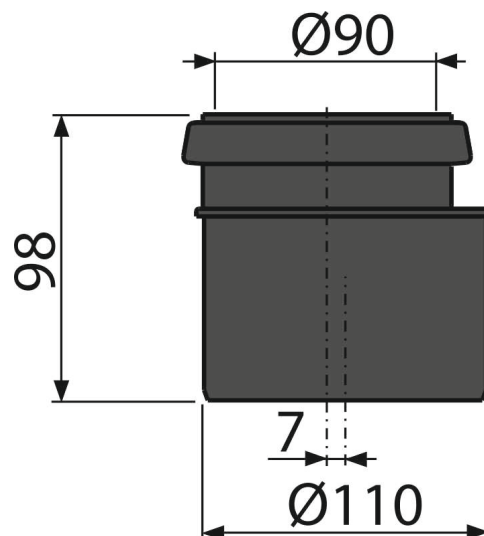


M907

Reduction set DN90/110



Application

For transition from DN90 to DN110
For pre-wall installation systems

Features

- Material: polyethylene

Scope of supply

- Fixation ring
- Reduction DN90/110
- Seal

Order number, Logistic information

Code	EAN	Weight (piece packing palett)	Dimensions (piece packing)	Quantity (packing palett)
M907	8594045937121	0,13 7,55 140,9 kg	110x110x98 590x430x390 mm	60 960 pcs

Warranty
2/2 years *

Norms
EN 476