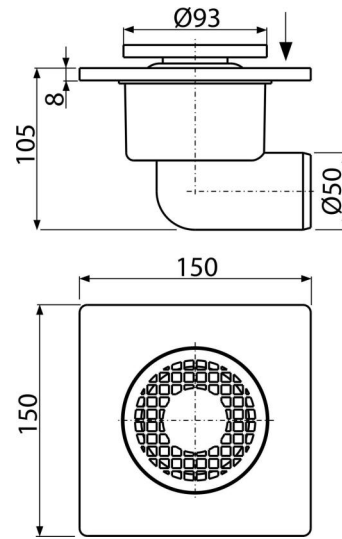


APV3

Floor drain 150x150/50 mm side outlet, grey grid, wet odour trap



Application

For wheelchair access
 For drainage of floor level showers
 For the interior, where will be frequent use associated with the regular water runoff into the floor drain (bathrooms)

Features

- Side connection to waste Ø50 mm
- Material: polypropylene resistant to mechanical, chemical and thermal damage
- Plastic grid Ø93 mm
- Wet odour trap prevents the penetration of odours from the sewer

Scope of supply

- Plastic grid – gray
- Floor drain body Ø50 mm, side outlet
- Wet odour trap

Order number, Logistic information

Code	EAN	Weight (piece packing palett)	Dimensions (piece packing)	Quantity (packing palett)
APV3	8594045937244	0,26 13,10 177,2 kg	110x150x150 780x380x400 mm	50 600 pcs

Warranty

2/6 years *

Norms

EN 1253

Technical specifications

- Total installation height 105 mm
- Waste pipe diameter 50 mm
- Flow of the inlet grid 24 l/min
- Load class K3 300 kg
- Wet odour trap 29 mm