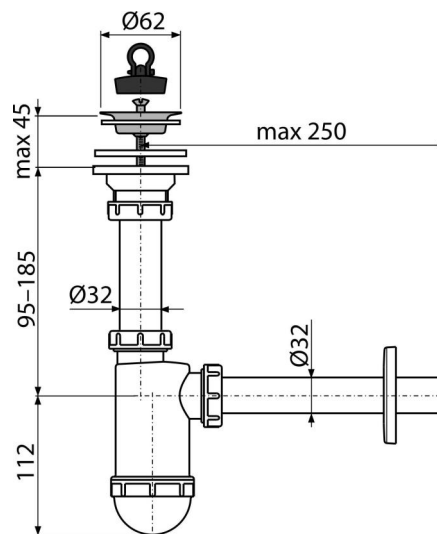


# A411

Wash-basin waste and trap DN32 with stainless steel grid DN63



## Application

For wash-basin

## Features

- Material: polypropylene
- Connection to waste pipe Ø32 mm

## Scope of supply

- Stainless steel outlet grid
- Plastic rosette
- Waste and trap body
- PVC plug

## Order number, Logistic information

Code	EAN	Weight (piece   packing   palett)	Dimensions (piece   packing)	Quantity (packing   palett)
A411	8594045937268	0,30   7,51   230,1 kg	220x80x150   590x240x390 mm	25   700 pcs

## Warranty

2/3 years \*

## Norms

EN 274

## Technical specifications

- Flow rate 38 l/min
- Thermal resistance 95 °C
- Odour trap 58 mm