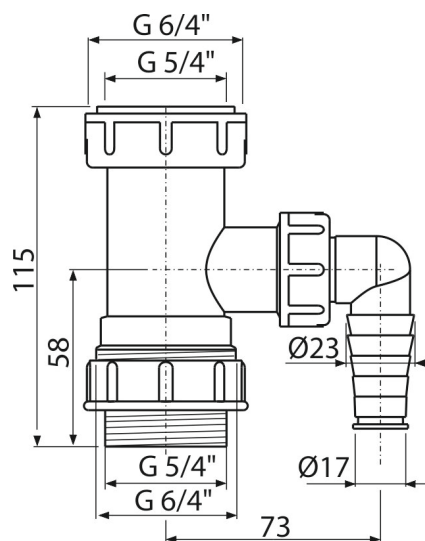


# A300

Adapter pipe 5/4"-6/4" a 6/4"-5/4" with connector



### Application

To connect the washing machine or dishwasher  
For wash-basin traps

### Features

- Material: polypropylene
- With connector for washing machine or dishwasher
- Thread for connection to wash-basin trap 5/4"

### Scope of supply

- Nut to connect wash-basin waste 5/4"
- Adapter 5/4" with connector

### Order number, Logistic information

Code	EAN	Weight (piece   packing   palett)	Dimensions (piece   packing)	Quantity (packing   palett)
A300	8594045937374	0,09   5,50   174,1 kg	115x45x105   590x240x390 mm	60   1680 pcs

Warranty 2/2 years \*      Customs code 39174000

### Technical specifications

- Hose connector 17-23 mm
- Thread for connection to the trap 5/4 "