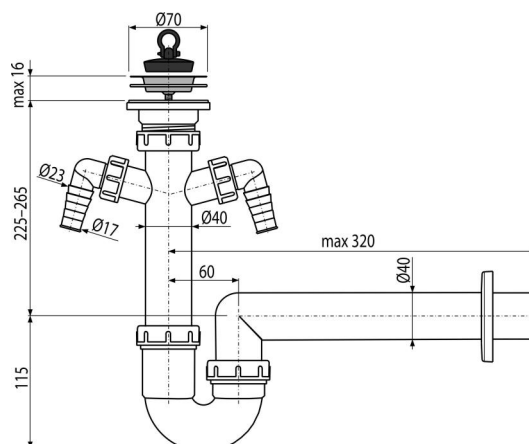


A820-DN40

Sink waste and pipe trap with stainless steel grid DN70 and two connectors



Application

For sink

Features

- Two connectors for connecting washing machines or dishwashers
- Material: polypropylene
- Connection to waste pipe $\varnothing 40$ mm

Scope of supply

- Stainless steel outlet grid
- Plastic rosette
- Shower trap body with two connectors
- PVC plug

Order number, Logistic information

Code	EAN	Weight (piece packing palett)	Dimensions (piece packing)	Quantity (packing palett)
A820-DN40	8594045937428	40 mm 0,41 8,16 150,6 kg	320x100x210 590x430x390 mm	20 320 pcs

Warranty

2/3 years *

Norms

EN 274

Technical specifications

- Hose connector 17-23 mm
- Flow rate 60 l/min
- Thermal resistance 95 °C
- Odour trap 64 mm