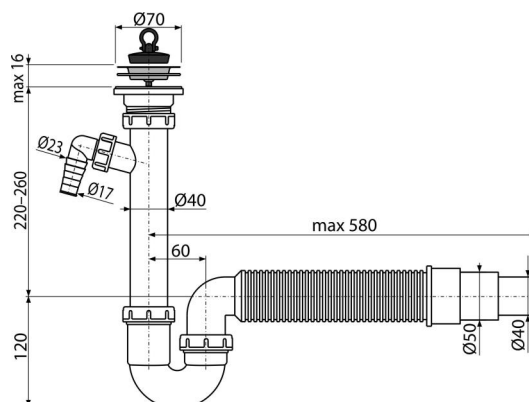


A830-DN50/40

Sink waste and pipe trap with stainless steel grid DN70, connector and flexi pipe



Application

For sink

Features

- Material: polypropylene
- Connection to waste pipe flexi Ø40/50 mm
- With connector for washing machine or dishwasher

Scope of supply

- Flexi pipe
- Stainless steel outlet grid
- Sink trap body with connector
- PVC plug

Order number, Logistic information

Code	EAN	Weight (piece packing palett)	Dimensions (piece packing)	Quantity (packing palett)
A830-DN50/40	8594045937435	50 mm 0,41 4,07 134,0 kg	500×110×220 590×240×390 mm	10 280 pcs

Warranty

2/3 years *

Norms

EN 274

Technical specifications

- Hose connector 17-23 mm
- Flow rate 60 l/min
- Thermal resistance 95 °C
- Odour trap 64 mm