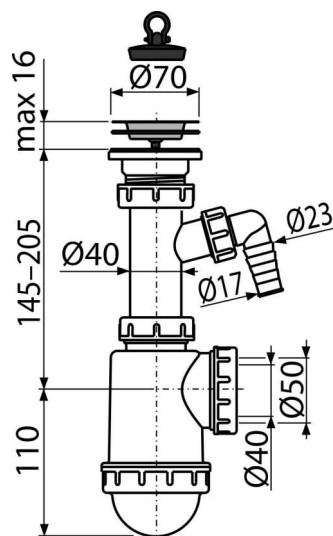


A441P-DN50/40

Sink waste and trap with stainless steel grid DN70 and connector



Application

For sink

Features

- Material: polypropylene
- With connector for washing machine or dishwasher
- Waste outlet ready for connection to drain pipe Ø50 mm or Ø40 mm

Scope of supply

- Stainless steel outlet grid
- Sink trap body with connector
- PVC plug

Order number, Logistic information

Code	EAN	Weight (piece packing palett)	Dimensions (piece packing)	Quantity (packing palett)
A441P-DN50/40	8594045937510	50 mm 0,34 6,71 208,0 kg	280×90×160 590×240×390 mm	20 560 pcs

Warranty

2/3 years *

Norms

EN 274

Technical specifications

- Hose connector 17-23 mm
- Flow rate 44 l/min
- Thermal resistance 95 °C
- Odour trap 53 mm