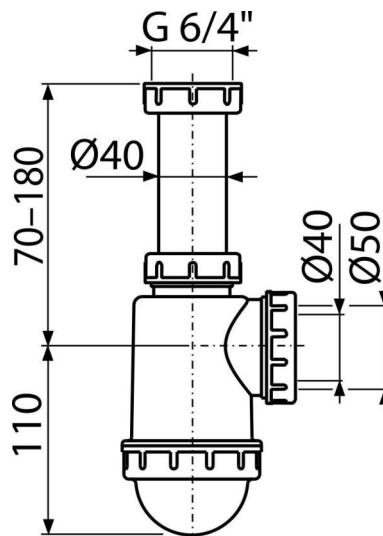


A443-DN50/40

Sink trap with coupling nut 6/4"



Application

For sink

Features

- Material: polypropylene
- Waste outlet ready for connection to drain pipe Ø50 mm or Ø40 mm

Scope of supply

- Nut to connect sink waste 6/4"
- Waste and trap body

Order number, Logistic information

Code	EAN	Weight (piece packing palett)	Dimensions (piece packing)	Quantity (packing palett)
A443-DN50/40	8594045937541	50 mm 0,22 5,52 174,6 kg	250x80x120 590x240x390 mm	25 700 pcs

Warranty

2/3 years *

Norms

EN 274

Technical specifications

- Flow rate 44 l/min
- Thermal resistance 95 °C
- Odour trap 53 mm