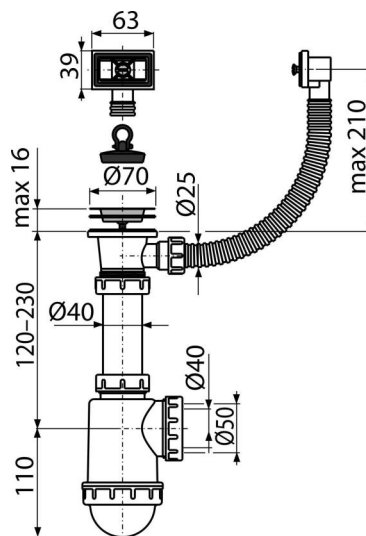


A444-DN50/40

Sink waste and trap with stainless steel grid DN70 and flexi overflow



Application

For sink with overflow

Features

- Material: polypropylene
- Waste outlet ready for connection to drain pipe Ø50 mm or Ø40 mm

Scope of supply

- Stainless steel outlet grid
- Waste and trap body with overflow
- PVC plug

Order number, Logistic information

Code	EAN	Weight (piece packing palett)	Dimensions (piece packing)	Quantity (packing palett)
A444-DN50/40	8594045937756	50 mm 0,39 5,82 183,0 kg	330x90x200 590x240x390 mm	15 420 pcs

Warranty	Customs code	Norms
2/3 years *	39229000	EN 274

Technical specifications

- Flow rate 44 l/min
- Thermal resistance 95 °C
- Odour trap 53 mm