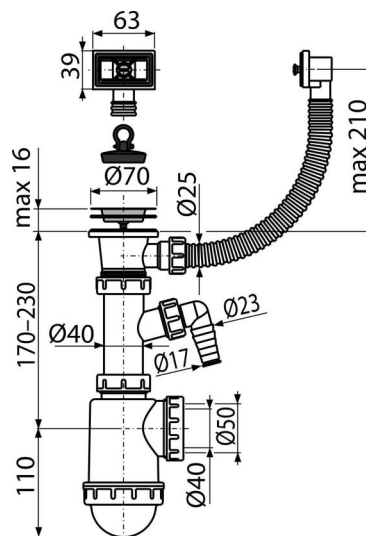


A444P-DN50/40

Sink waste and trap with stainless steel grid DN70, flexi overflow and connector



Application

For sink with overflow

Features

- Material: polypropylene
- With connector for washing machine or dishwasher
- Waste outlet ready for connection to drain pipe Ø50 mm or Ø40 mm

Scope of supply

- Stainless steel outlet grid
- Sink trap body with connector and overflow
- PVC plug

Order number, Logistic information

Code	EAN	Weight (piece packing palett)	Dimensions (piece packing)	Quantity (packing palett)
A444P-DN50/40	8594045937763	50 mm 0,43 6,38 198,5 kg	330x90x190 590x240x390 mm	15 420 pcs

Warranty

2/3 years *

Norms

EN 274

Technical specifications

- Hose connector 17-23 mm
- Flow rate 44 l/min
- Thermal resistance 95 °C
- Odour trap 53 mm