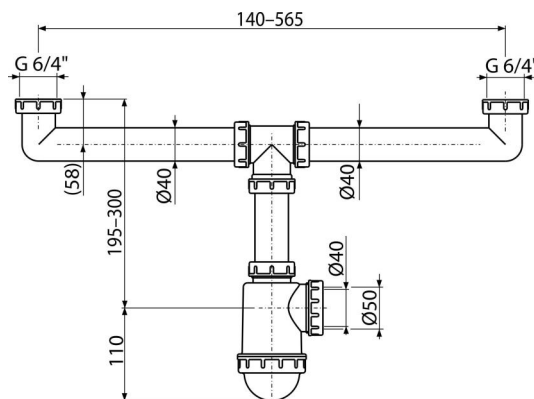


A448-DN50/40

Double sink trap with coupling nut 6/4"



Application

For sink

Features

- Material: polypropylene
- Waste outlet ready for connection to drain pipe $\varnothing 50$ mm or $\varnothing 40$ mm

Scope of supply

- Nut to connect sink waste 6/4" – 2 pcs
- Waste and trap body

Order number, Logistic information

Code	EAN	Weight (piece packing palett)	Dimensions (piece packing)	Quantity (packing palett)
A448-DN50/40	8594045937831	50 mm 0,47 4,73 152,5 kg	270x80x200 590x240x390 mm	10 280 pcs

Warranty

2/3 years *

Norms

EN 274

Technical specifications

- Flow through two outlets 83,4 l/min
- Flow through one outlet 44 l/min
- Thermal resistance 95 °C
- Odour trap 53 mm