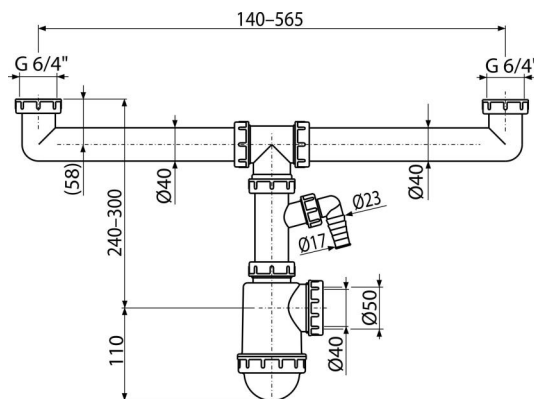


# A448P-DN50/40

Double sink trap with coupling nut 6/4" and connector



## Application

For two-piece sinks

## Features

- Material: polypropylene
- With connector for washing machine or dishwasher
- Waste outlet ready for connection to drain pipe  $\varnothing 50$  mm or  $\varnothing 40$  mm

## Scope of supply

- Nut to connect sink waste 6/4" – 2 pcs
- Sink trap body with connector

## Order number, Logistic information

Code	EAN	Weight (piece   packing   palett)	Dimensions (piece   packing)	Quantity (packing   palett)
A448P-DN50/40	8594045937848	50 mm 0,51   5,06   161,8 kg	270x80x200   590x240x390 mm	10   280 pcs

## Warranty

2/3 years \*

## Norms

EN 274

## Technical specifications

- Hose connector 17-23 mm
- Flow through two outlets 83,4 l/min
- Flow through one outlet 44 l/min
- Thermal resistance 95 °C
- Odour trap 53 mm