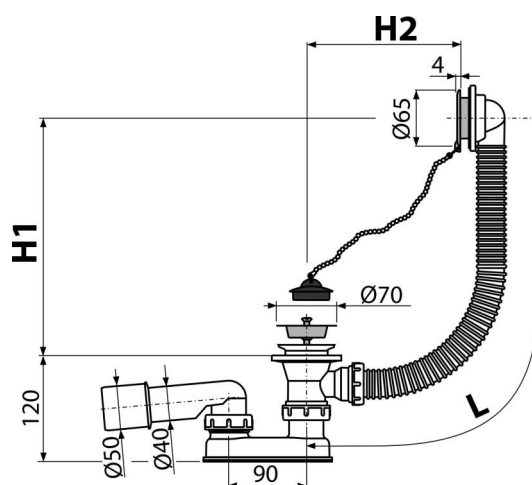


A501

Bath waste and trap, chrome



Application

To drain the water from the bath to the waste
For bathtubs with drain outlet Ø52 mm
For standard size bathtubs

Features

- The length of the bathtub trap 57 cm
- Overflow flexi pipe
- Closing the drain with plug
- Bath waste and overflow system
- Wet odour trap with swivel elbow

Scope of supply

- Chrome-plated stainless steel outlet grid
- Chrome-plated plastic overflow grid
- Waste and trap body with overflow
- Profiled seal
- Odour trap of polypropylene, thermally and chemically resistant, longitudinally welded
- PVC plug with chain

Order number, Logistic information

Code	EAN	Weight (piece packing palett)	Dimensions (piece packing)	Quantity (packing palett)
A501	8594045937855	0,40 7,90 146,4 kg	330×100×220 590×430×390 mm	20 320 pcs

Warranty

2/3 years *

Norms

EN 274

Technical specifications

- Resistance of odour trap against the pressure 588 Pa
- Overflow flow rate 43 l/min
- Trap flow rate 52 l/min
- Thermal resistance 95 °C
- Odour trap 50 mm