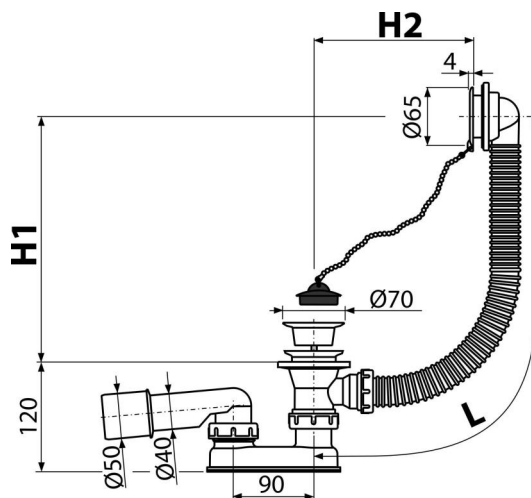


# A502

Bath waste and trap, white



### Application

To drain the water from the bath to the waste  
 For bathtubs with drain outlet Ø52 mm  
 For standard size bathtubs

### Features

- The length of the bathtub trap 57 cm
- Overflow flexi pipe
- Closing the drain with plug
- Bath waste and overflow system
- Wet odour trap with swivel elbow

### Scope of supply

- White plastic overflow grid
- White plastic outlet grid
- Waste and trap body with overflow
- Odour trap of polypropylene, thermally and chemically resistant, longitudinally welded
- PVC plug with chain

### Order number, Logistic information

Code	EAN	Weight (piece   packing   palett)	Dimensions (piece   packing)	Quantity (packing   palett)
A502	8594045937862	0,38   7,56   140,9 kg	330x100x220   590x430x390 mm	20   320 pcs

### Warranty

2/3 years \*

### Norms

EN 274

### Technical specifications

- Resistance of odour trap against the pressure 588 Pa
- Flow rate 43 l/min
- Thermal resistance 95 °C
- Odour trap 50 mm