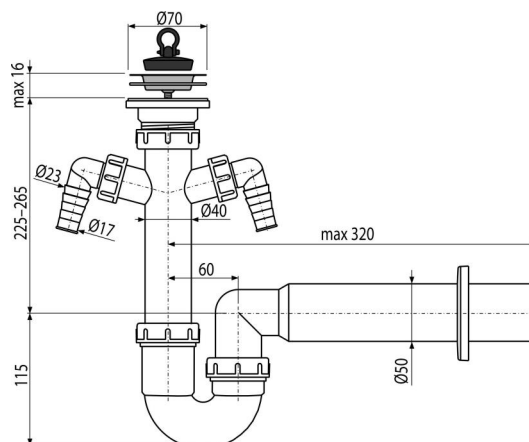


# A820-DN50

Sink waste and pipe trap with stainless steel grid DN70 and two connectors



## Application

For sink

## Features

- Two connectors for connecting washing machines or dishwashers
- Material: polypropylene
- Connection to waste pipe  $\varnothing 50$  mm

## Scope of supply

- Stainless steel outlet grid
- Plastic rosette
- Shower trap body with two connectors
- PVC plug

## Order number, Logistic information

| Code      | EAN           | Weight<br>(piece   packing   palett) | Dimensions<br>(piece   packing) | Quantity<br>(packing   palett) |
|-----------|---------------|--------------------------------------|---------------------------------|--------------------------------|
| A820-DN50 | 8594045937893 | 50 mm<br>0,43   8,53   156,4 kg      | 320×100×210   590×430×390 mm    | 20   320 pcs                   |

## Warranty

2/3 years \*

## Norms

EN 274

## Technical specifications

- Hose connector 17-23 mm
- Flow rate 60 l/min
- Thermal resistance 95 °C
- Odour trap 64 mm