

## C100-SET

### SET C100 KOMFORT + Wall-hung WC

#### Application

For installation of wall-hung WC pans with a connecting pitch of 180 mm or 230 mm

For wall-hung WC

For walling in and around the bearing wall – wet process

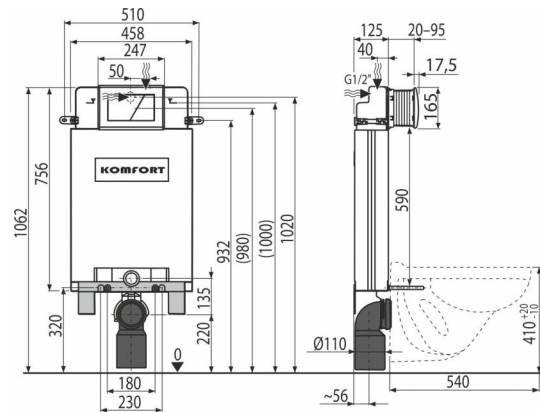
#### Features

- Dual flush independently adjustable with hygienic reserve
- Compatible with all Alca and Komfort flush plates
- The construction of the polystyrene insulation simplifies the process of walling-in, prevents condensation forming on the surface of the tank and dampens the vibrations from the tank into the building structure
- The service opening cover simplifies assembly and prevents the penetration of moisture and impurities
- Material support brackets: galvanized metal
- Installation depth adjustable from 20–95 mm
- Mounting height 1062 mm
- Suitable for installation of remote or sensor flushing
- The cistern is made of one piece, thus ensuring 100% impermeability
- Mounting bracket ensures high rigidity of the toilet connection to the wall
- Necessary to wall under or use supporting feet M90
- Sliding rail holder for the waste connector can be set to eight positions between 0–93 mm
- Water supply from the rear/top
- Angle valve with the ability to connect to the Mepla piping system
- Dimensions and construction of the console simplify installation
- Maintenance work without using any tools
- Installation depth 125 mm
- WC ALCA: white ceramics, attachment pitch of 180 mm, deep flushing 3/6 l, compatible with toilet seats A60, A601, A602, A603, A604, A606, A64SLIM



#### Scope of supply

- Fixation material for fixing the WC pan: threaded rod M12 – 2 pcs, washers – 4 pcs, cover – 2 pcs, nut – 2 pcs, thread protector – 2 pcs
- Fixation set: screw Ø8x60 – 2 pcs, screw Ø4,8x38 – 2 pcs, dowel Ø12 – 2 pcs, dowel Ø8 – 2 pcs
- Elbow waste connector HT 90/110 polyethylene, PE-HD
- The 2 piece cover of the service opening is simply adjustable
- Cistern with fill and flush valve
- Mounting bracket
- Flush plate C170
- End-caps set for protecting the connecting holes during installation of the system
- Fittings 1/2" water connection with the integrated angle valve Schell 1/2–3/8"
- Telescopic mounting brackets 2 pcs
- Drainage seal, PP connector, connector seal
- Inlet seal, PP outlet, wrapping seal
- Wall-hung WC ALCA



#### Order number, Logistic information

Code	EAN	Weight (piece   packing   palett)	Dimensions (piece   packing)	Quantity (packing   palett)
C100-SET	8594045938005	24,03   24,03   - kg	mm	1   - pc

#### Warranty

2/10 years

#### Norms

EN 14124, EN 14055

#### Technical specifications

- Recommended range of water pressure 0,3-0,5 MPa
- Functional range of water pressure 0,05-1,6 MPa
- Hygienic reserve 3 l
- Small flush 2,5-3,5 l
- Water volume in the cistern 9 l
- Water connection from the back or top via mounting holes G1/2"
- Factory setting of small flush 3 l
- Factory setting of large flush 6 l
- Big flush 6-9 l
- Load test 400 kg