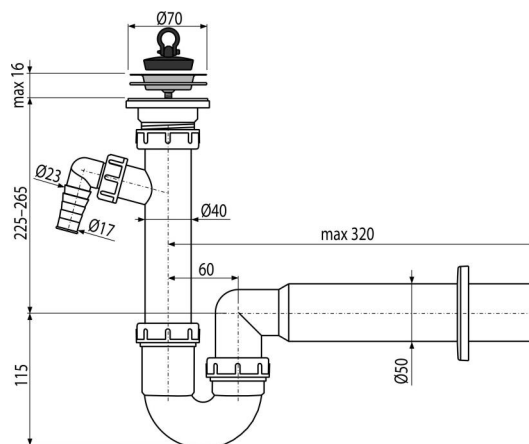


# A810-DN50

Sink waste and pipe trap with stainless steel grid DN70 and connector



## Application

For sink

## Features

- Material: polypropylene
- Connection to waste pipe  $\varnothing 50$  mm
- With connector for washing machine or dishwasher

## Scope of supply

- Stainless steel outlet grid
- Plastic rosette
- Sink trap body with connector
- PVC plug

## Order number, Logistic information

Code	EAN	Weight (piece   packing   palett)	Dimensions (piece   packing)	Quantity (packing   palett)
A810-DN50	8594045938210	50 mm 0,37   5,58   176,3 kg	300×90×200   590×240×390 mm	15   420 pcs

## Warranty

2/3 years \*

## Customs code

39229000

## Norms

EN 274

## Technical specifications

- Hose connector 17-23 mm
- Flow rate 60 l/min
- Thermal resistance 95 °C
- Odour trap 64 mm