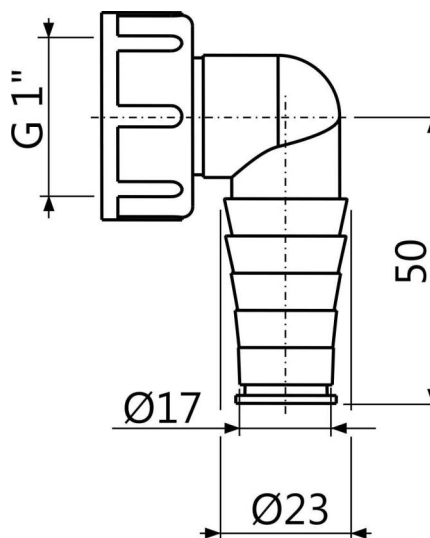


P0048-ND

Connector set G1"/17-23



Application

For double connector

For wash-basin and sink traps with connector for washing machine or dishwasher

Features

- Elbow for connecting the household appliances: washing machines, dishwashers etc.
- Material: polypropylene

Scope of supply

- Elbow with nut
- Seal
- End-piece

Order number, Logistic information

| Code | EAN | Weight (piece packing palett) | Dimensions (piece packing) | Quantity (packing palett) |
|----------|---------------|--------------------------------------|---------------------------------|--------------------------------|
| P0048-ND | 8594045938364 | 0,03 2,78 64,5 kg | 65×37×50 390×240×300 mm | 100 1600 pcs |

Warranty

2/2 years *

Technical specifications

- Hose connector 17-23 mm