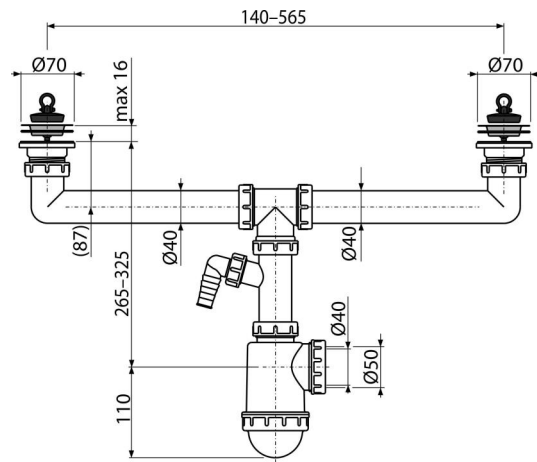


# A449P-DN50/40

Double sink wastes and trap with stainless steel grids DN70 and connector



### Application

For two-piece sinks

### Features

- Material: polypropylene
- With connector for washing machine or dishwasher
- Waste outlet ready for connection to drain pipe Ø50 mm or Ø40 mm

### Scope of supply

- Stainless steel outlet grid 2 pcs
- Waste and trap body with two outlets and connector
- PVC plug 2 pcs

### Order number, Logistic information

Code	EAN	Weight (piece   packing   palett)	Dimensions (piece   packing)	Quantity (packing   palett)
A449P-DN50/40	8594045938470	50 mm 0,64   6,42   199,9 kg	340x100x240   590x240x390 mm	10   280 pcs

### Warranty

2/3 years \*

### Norms

EN 274

### Technical specifications

- Hose connector 17-23 mm
- Flow through two outlets 83,4 l/min
- Flow through one outlet 49,8 l/min
- Thermal resistance 95 °C
- Odour trap 50 mm