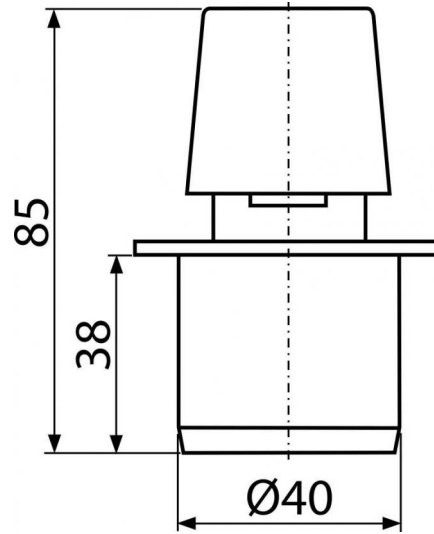


APH40

Air admittance valve DN40



Application

Air admittance to the waste pipe

Features

- Material: polypropylene
- Allows air to be sucked into the waste pipe if vacuum occurs in the system
- It prevents the penetration of odour from the waste pipe
- Ø40 mm

Scope of supply

- Head

Order number, Logistic information

Code	EAN	Weight (kus packing palett)	Dimensions (piece packing)	Quantity (packing palett)
APH40	8595580500429	0,0425 12,7690 224,3040 kg	85x50x50 790x390x390 mm	300 4800 pcs

Guarantee

2/2 years

Customs code

39174000

Norms

EN 12380