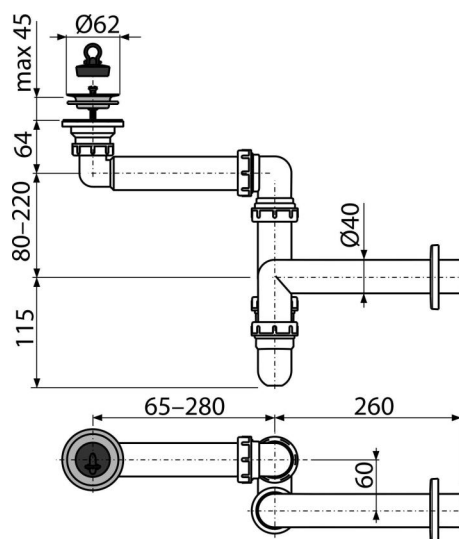


A413

Space saving wash-basin trap DN63



Application

For wash-basin

To save space under the wash-basin

Features

- Material: polypropylene
- Connection to waste pipe Ø40 mm

Scope of supply

- Stainless steel outlet grid
- Plastic rosette
- Waste and trap body
- PVC plug

Order number, Logistic information

Code	EAN	Weight (piece packing palett)	Dimensions (piece packing)	Quantity (packing palett)
A413	8595580500719	0,45 8,96 163,3 kg	586×386×428 590×430×390 mm	20 320 pcs

Warranty

2/3 years *

Norms

EN 274

Technical specifications

- Flow rate 60 l/min
- Thermal resistance 95 °C
- Odour trap 64 mm