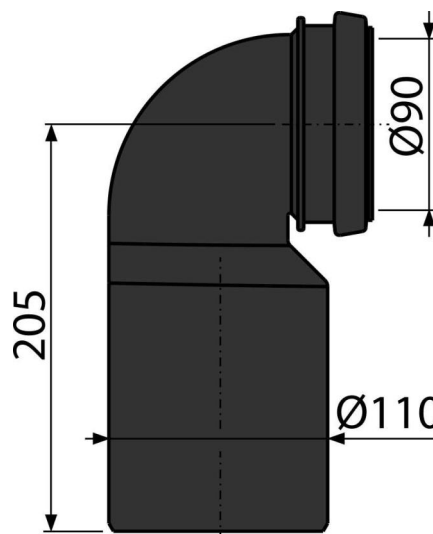


M906

Elbow waste connector set DN90/110



Application

For pre-wall installation systems

To connect a wall-hung WC to vertical waste pipes

Features

- Material: polyethylene

Scope of supply

- Fixation ring
- Waste elbow connector Ø90/110 mm
- Seal

Order number, Logistic information

Code	EAN	Weight (piece packing palett)	Dimensions (piece packing)	Quantity (packing palett)
M906	8595580501891	0,38 7,59 141,5 kg	250x120x110 590x430x390 mm	20 320 pcs

Warranty
2/2 years *

Norms
EN 476