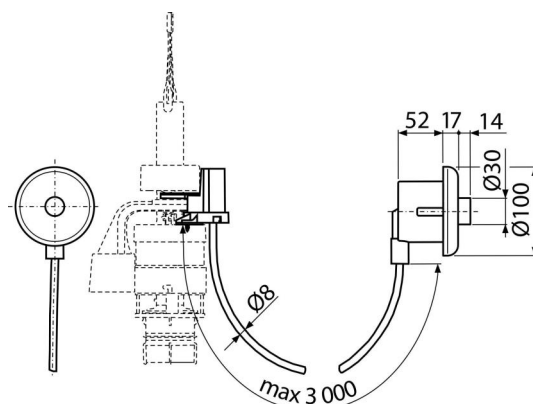


# MPO10

Remote pneumatic flush for hand operation, white, installation: into the wall



### Application

Can not be used for pre-wall installation systems Slim  
 For people with reduced mobility  
 For plastic Alca cisterns after replacing the pull and bottom outlet  
 For pre-wall installation systems Alca  
 For installation into walled constructions and lightweight partition walls

### Features

- Color: white
- One flushing volume of 6 l
- Can be installed up to 3 m from the WC bowl
- Material: ABS, polypropylene

### Scope of supply

- Fixation set: screw 3.5x10 – 2 pcs
- 3 m tube to connect the flush plate with the flush valve
- Control mechanism
- Button for pneumatic control
- Flush valve

### Order number, Logistic information

Code	EAN	Weight (piece   packing   palett)	Dimensions (piece   packing)	Quantity (packing   palett)
MPO10	8595580501952	1,13   11,30   200,8 kg	315x210x120   590x390x430 mm	10   160 pcs

### Warranty

2/2 years \* Norms EN 14055

### Technical specifications

- Hygienic reserve 3 l
- Maximum length of the tube for pneumatic operation 3 m
- Setting of flushing water volume 6-9 l
- Default flushing water volume setting 6 l