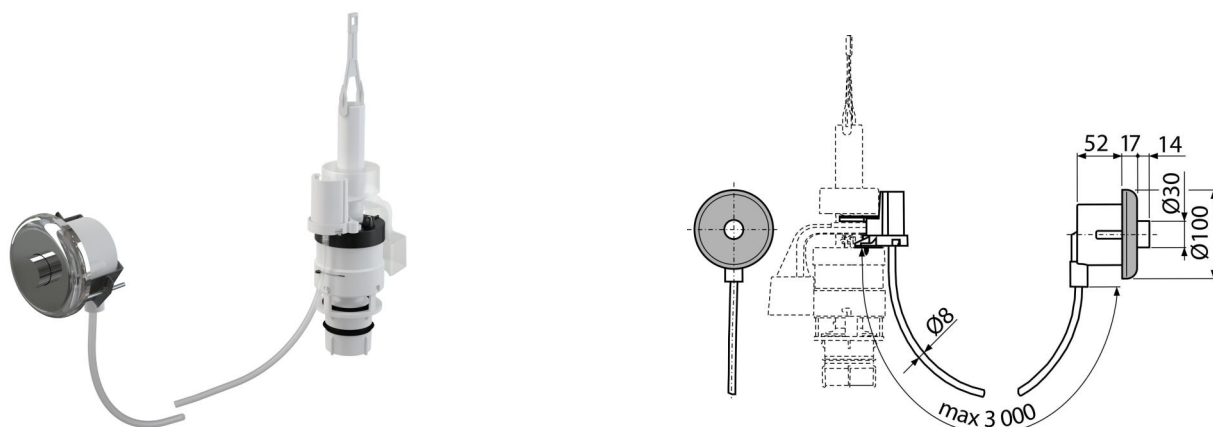


# MPO11

Remote pneumatic flush for hand operation, chrome-polished, installation: into the wall



### Application

Can not be used for pre-wall installation systems Slim  
 For people with reduced mobility  
 For plastic Alca cisterns after replacing the pull and bottom outlet  
 For pre-wall installation systems Alca  
 For installation into walled constructions and lightweight partition walls

### Features

- Color: chrome
- One flushing volume of 6 l
- Can be installed up to 3 m from the WC bowl
- Material: chrome-plated plastic

### Scope of supply

- Fixation set: screw 3.5x10 – 2 pcs
- 3 m tube to connect the flush plate with the flush valve
- Control mechanism
- Button for pneumatic control
- Flush valve

### Order number, Logistic information

Code	EAN	Weight (piece   packing   palett)	Dimensions (piece   packing)	Quantity (packing   palett)
MPO11	8595580501969	1,14   11,41   202,5 kg	315x210x120   590x430x390 mm	10   160 pcs

### Warranty

2/2 years \*

### Norms

EN 14055

### Technical specifications

- Hygienic reserve 3 l
- Maximum length of the tube for pneumatic operation 3 m
- Setting of flushing water volume 6-9 l
- Default flushing water volume setting 6 l