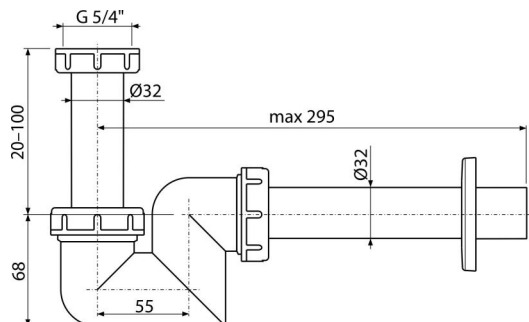


A45F-DN32

Wash-basin and bidet trap DN32 plastic



Application

For wash-basin and bidet

Features

- Material: polypropylene
- Connection to waste pipe Ø32 mm

Scope of supply

- Nut to connect wash-basin and bidet waste 5/4"
- Plastic rosette
- Waste and trap body

Order number, Logistic information

Code	EAN	Weight (piece packing palett)	Dimensions (piece packing)	Quantity (packing palett)
A45F-DN32	8595580502416	32 mm 0,23 5,78 181,8 kg	220×170×80 590×240×390 mm	25 700 pcs

Warranty	Customs code	Norms
2/3 years *	39229000	EN 274