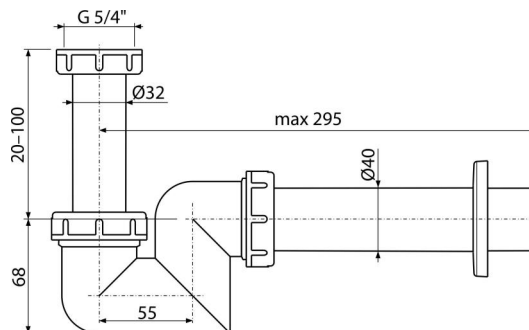


A45F-DN40

Wash-basin and bidet trap DN40 plastic



Application

For wash-basin and bidet

Features

- Material: polypropylene
- Connection to waste pipe Ø40 mm

Scope of supply

- Nut to connect wash-basin and bidet waste 5/4"
- Plastic rosette
- Waste and trap body

Order number, Logistic information

Code	EAN	Weight (piece packing palett)	Dimensions (piece packing)	Quantity (packing palett)
A45F-DN40	8595580502423	40 mm 0,23 5,74 180,7 kg	220x170x80 590x240x390 mm	25 700 pcs

Warranty
2/3 years *

Norms
EN 274