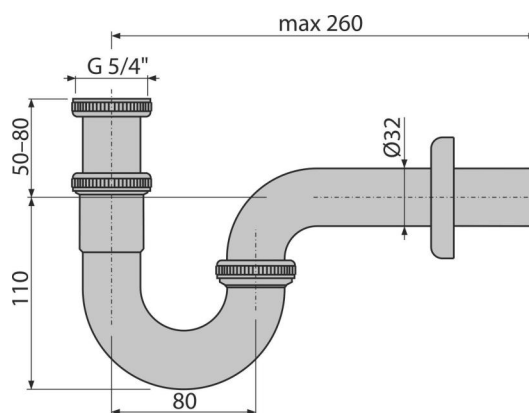


A45E

Bidet trap DN32 metal



Application

For bidets

Features

- Material: chrome-plated metal
- Connection to waste pipe $\varnothing 32$ mm
- High scratch resistance

Scope of supply

- Nut to connect bidet waste 5/4"
- Metal rosette
- Waste and trap body

Order number, Logistic information

Code	EAN	Weight (piece packing palett)	Dimensions (piece packing)	Quantity (packing palett)
A45E	8595580502430	0,39 9,72 292,2 kg	350x120x40 590x240x390 mm	25 700 pcs

Warranty	Customs code	Norms
2/3 years *	74182000	EN 274

Technical specifications

- Flow rate 36 l/min
- Thermal resistance 95 °C
- Odour trap 62 mm