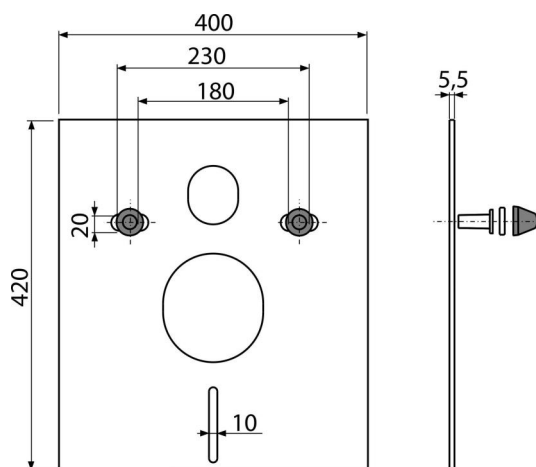
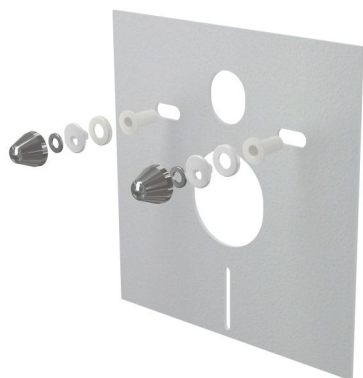


M930CR

Noise insulation for wall-hung WC and bidets with accessories including cover cap (chrome)



Application

For mounting ceramics with connecting pitches 180 mm and 230 mm
To compensate the inequalities between the ceramics and the tiles
For WC and wall-hung bidet

Features

- No memory effect
- Simply trimable to the shape of the used ceramics
- Material: XLPE
- Interrupts the transmission of vibrations between the wall and the ceramics

Scope of supply

- Chrome cap 2 pcs
- Insulation board
- Washer for insulation boards 2 pcs
- Nut washer 2 pcs
- Insulation board insert 2 pcs

Order number, Logistic information

Code	EAN	Weight (piece packing palett)	Dimensions (piece packing)	Quantity (packing palett)
M930CR	8595580503048	0,21 10,64 190,2 kg	420x400x5,5 590x430x390 mm	50 800 pcs

Warranty

2/2 years *