

C200

Pre-wall installation system for building into solid walls

Application

For installation of wall-hung WC pans with a connecting pitch of 180 mm or 230 mm

For wall-hung WC

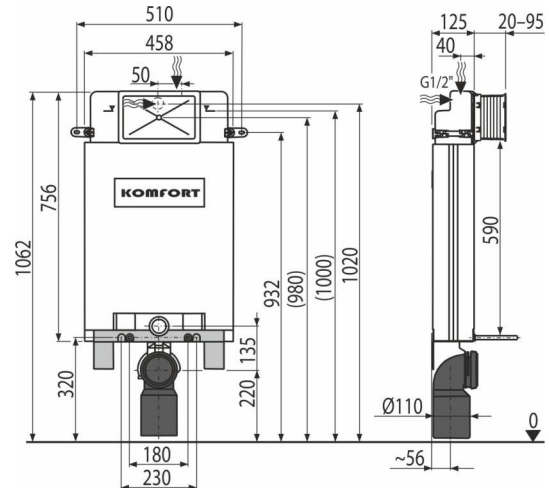
For walling in and around the bearing wall – wet process

Features

- Dual flush independently adjustable with hygienic reserve
- Compatible with all Alca and Komfort flush plates
- The construction of the polystyrene insulation simplifies the process of walling-in, prevents condensation forming on the surface of the tank and dampens the vibrations from the tank into the building structure
- The service opening cover simplifies assembly and prevents the penetration of moisture and impurities
- Material support brackets: galvanized metal
- Installation depth adjustable from 20–95 mm
- Mounting height 1062 mm
- Suitable for installation of remote or sensor flushing
- The cistern is made of one piece, thus ensuring 100% impermeability
- Mounting bracket ensures high rigidity of the toilet connection to the wall
- Necessary to wall under or use supporting feet M90
- Water supply from the rear/top
- Dimensions and construction of the console simplify installation
- Maintenance work without using any tools
- Installation depth 125 mm

Scope of supply

- Fixation material for fixing the WC pan: threaded rod M12 – 2 pcs, washers – 4 pcs, cover – 2 pcs, nut – 2 pcs, thread protector – 2 pcs
- Fixation set: screw Ø8x60 – 2 pcs, screw Ø4,8x38 – 2 pcs, dowel Ø12 – 2 pcs, dowel Ø8 – 2 pcs
- Elbow waste connector HT 90/110 polyethylene, PE-HD
- Service opening cover is simply adjustable, screws 4 pcs
- Cistern with fill and flush valve
- Mounting bracket
- End-caps set for protecting the connecting holes during installation of the system
- Fittings 1/2" water connection with the integrated angle valve Schell 1/2–3/8"
- Telescopic mounting brackets 2 pcs
- Drainage seal, PP connector, connector seal
- Inlet seal, PP outlet, wrapping seal



Order number, Logistic information

| Code | EAN | Weight (piece packing palett) | Dimensions (piece packing) | Quantity (packing palett) |
|------|---------------|--------------------------------------|---------------------------------|--------------------------------|
| C200 | 8595580503055 | 7,40 7,40 168,0 kg | 1050x480x140 – mm | 1 20 pcs |

| Warranty | Customs code | Norms |
|------------|--------------|--------------------|
| 2/10 years | 39229000 | EN 14124, EN 14055 |

Technical specifications

- Recommended range of water pressure 0,3-0,5 MPa
- Functional range of water pressure 0,05-1,6 MPa
- Hygienic reserve 3 l
- Small flush 2,5-3,5 l
- Water volume in the cistern 9 l
- Water connection from the back or top via mounting holes G1/2 "
- Factory setting of small flush 3 l
- Factory setting of large flush 6 l
- Big flush 6-9 l
- Load test 400 kg