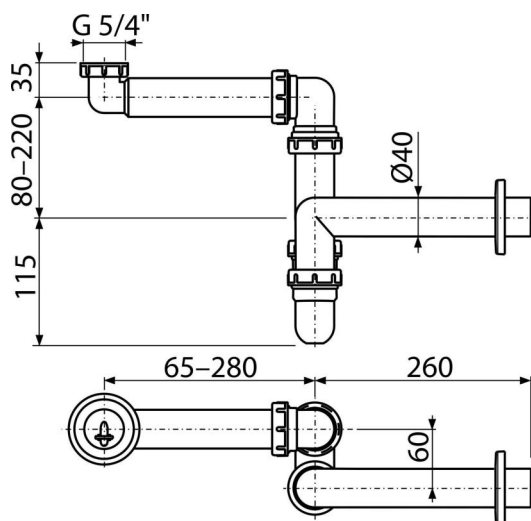


A434

Space-saving wash-basin trap DN40 with coupling nut 5/4"



Application

For wash-basin

To save space under the wash-basin

Features

- Material: polypropylene
- Connection to waste pipe Ø40 mm

Scope of supply

- Nut to connect wash-basin waste 5/4"
- Plastic rosette
- Waste and trap body

Order number, Logistic information

Code	EAN	Weight (piece packing palett)	Dimensions (piece packing)	Quantity (packing palett)
A434	8595580503086	0,39 3,92 129,9 kg	330×90×210 590×240×390 mm	10 280 pcs

Warranty

2/3 years *

Norms

EN 274

Technical specifications

- Flow rate 60 l/min
- Thermal resistance 95 °C
- Odour trap 64 mm