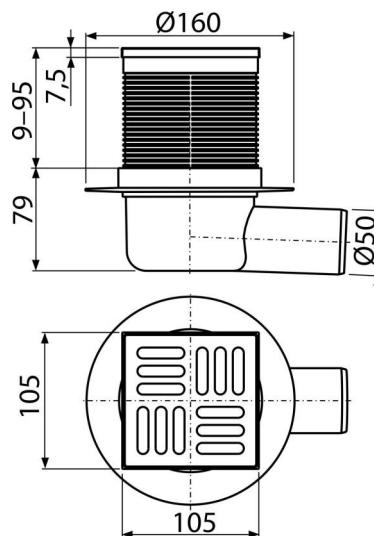


# APV31

Floor drain 105×105/50 mm side outlet, stainless steel grid, combined odour trap SMART



## Application

For wheelchair access  
 For drainage of floor level showers  
 For the interior, where it is not expected to regularly use the drain (laundry, boiler rooms, cellars)

## Features

- Side connection to waste Ø50 mm
- Insulation collar for connection to waterproofing of the building
- Combined odour trap SMART
- Compatibility with floor drains parts including wet, dry and combined odour trap SMART
- Material: stainless steel AISI 304, DIN 1.4301
- Material: polypropylene resistant to mechanical, chemical and thermal damage
- Stainless steel grid 102×102×5 mm
- Water column and mechanical flap effectively prevent the penetration of odours from the sewer
- Height adjustable throat 9–95 mm

## Scope of supply

- Design stainless steel grid
- Floor drain throat 105×105 mm
- Combined odour trap SMART
- Seal kit
- Floor drain body Ø50 mm, side outlet

## Order number, Logistic information

Code	EAN	Weight (piece   packing   palett)	Dimensions (piece   packing)	Quantity (packing   palett)
APV31	8595580503468	0,47   9,35   169,5 kg	160×160×88   590×430×390 mm	20   320 pcs

**Warranty** 2/6 years \*      **Norms** EN 1253

## Technical specifications

- Total installation height 88-174 mm
- Waste pipe diameter 50 mm
- Flow of the inlet grid 37 l/min
- Load class K3 300 kg
- Odour trap 30 mm