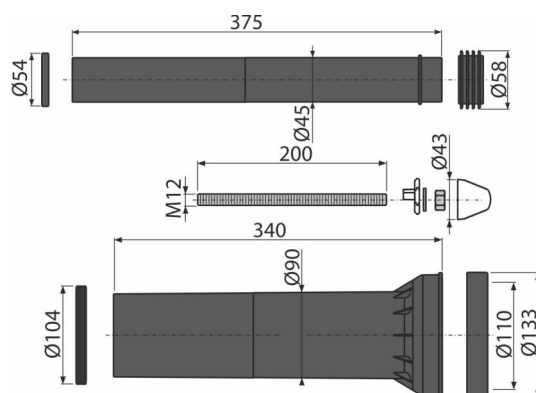
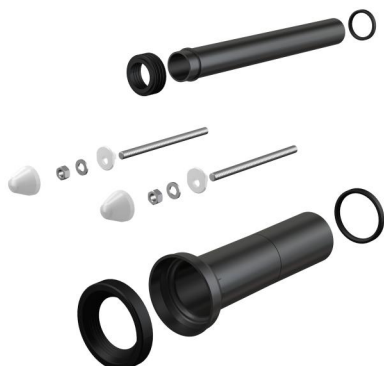


# M9000

Complete extended accessories to be used with WC for handicapped



## Application

For connecting water and waste to the WC, extended  
For pre-wall installation systems

## Features

- Material: polypropylene, galvanized

## Scope of supply

- Fixation material for fixing the WC pan: threaded rod M12 – 2 pcs, washers – 4 pcs, cover – 2 pcs, nut – 2 pcs, thread protector – 2 pcs
- Direct socket for connecting a wall-hung WC bowl to the waste pipe, polypropylene, Ø90 mm, including seals
- Jumper for connection of wall-hung WC pan to the water supply from the cistern, polypropylene, Ø45 mm, including seals and wrapping seal

## Order number, Logistic information

Code	EAN	Weight (piece   packing   palett)	Dimensions (piece   packing)	Quantity (packing   palett)
M9000	8595580503963	1,03   10,32   185,1 kg	340x133x133   590x430x390 mm	10   160 pcs

Warranty  
2/2 years \*

Norms  
EN 476, EN 12056-5