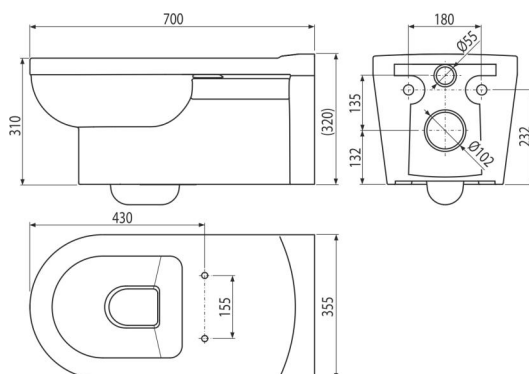


# WC Alca MEDIC

Wall-hung WC for people with reduced mobility



### Application

For installing on pre-wall installation systems

For wall mounting

For disabled persons and people with reduced mobility

### Features

- (For WC seat A674S it is necessary to order seat hinges P113 for top mounting)
- Color: white
- Deep flushing
- Compatible with WC seats: A66, A67, A678S, A67Slim, A674S
- Material: ceramic
- Attachment pitch 180 mm

### Scope of supply

- Toilet bowl

### Order number, Logistic information

Code	EAN	Weight (piece   packing   palett)	Dimensions (piece   packing)	Quantity (packing   palett)
WC Alca MEDIC	8595580504915	31,15   31,15   206,9 kg	700x355x400   700x355x400 mm	1   6 pcs

Warranty  
2/2 years \*

Customs code  
69109000