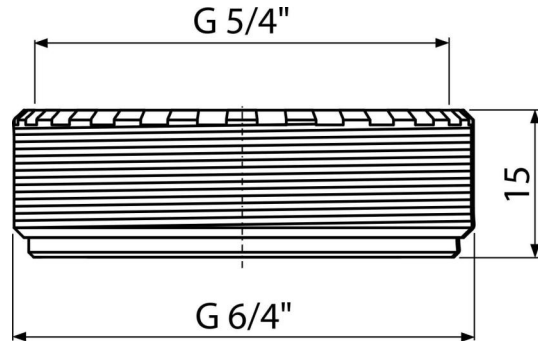


S0507-ND

Reduction 6/4"×5/4"



Application

For fixing sink trap on the wash-basin waste

Features

- Material: polypropylene

Scope of supply

- Reduction 5/4" × 6/4"
- Seal

Order number, Logistic information

Code	EAN	Weight (piece packing palett)	Dimensions (piece packing)	Quantity (packing palett)
S0507-ND	8595580505905	0,0060 0,6000 39,2 kg	50×15×50 – mm	100 3200 pcs

Warranty 2/2 years *	Customs code 39269097
-------------------------	--------------------------