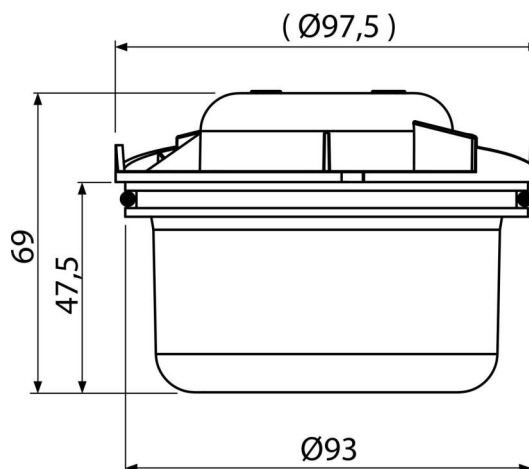


APV0010

Wet odour trap



Application

For floor drains
For interior use

Features

- Material: polypropylene resistant to mechanical, chemical and thermal damage
- Wet odour trap prevents the penetration of odours from the sewer

Scope of supply

- Odour trap body
- Seal
- Odour trap cover

Order number, Logistic information

Code	EAN	Weight (piece packing palett)	Dimensions (piece packing)	Quantity (packing palett)
APV0010	8595580507473	0,09 4,46 144,9 kg	98x70x98 590x240x390 mm	50 1400 pcs

Warranty

2/2 years *

Customs code

39269097

Norms

EN 1253

Technical specifications

- Resistance of odour trap against the pressure 480 Pa
- Flow rate 46 l/min
- Odour trap 51 mm