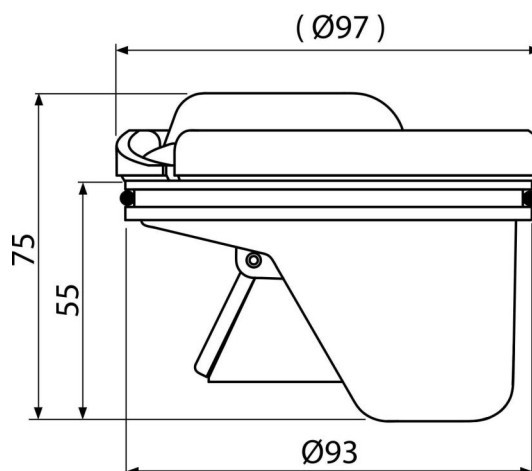


APV0020

Combined odour trap SMART



Application

For floor drains

For the interior, where it is not expected to regularly use the drain (laundry, boiler rooms, cellars)

Features

- Material: polypropylene resistant to mechanical, chemical and thermal damage
- Mechanical closure and the water column prevent the penetration of odours from the sewer

Scope of supply

- Odour trap flap
- Lock ring
- Seal kit
- Odour trap body
- Odour trap cover

Order number, Logistic information

Code	EAN	Weight (piece packing palett)	Dimensions (piece packing)	Quantity (packing palett)
APV0020	8595580507497	0,49 24,53 706,7 kg	98x75x98 590x240x390 mm	50 1400 pcs

Warranty	Customs code	Norms
2/2 years *	39269097	EN 1253

Technical specifications

- Pressure resistance
- Flow rate 37 l/min