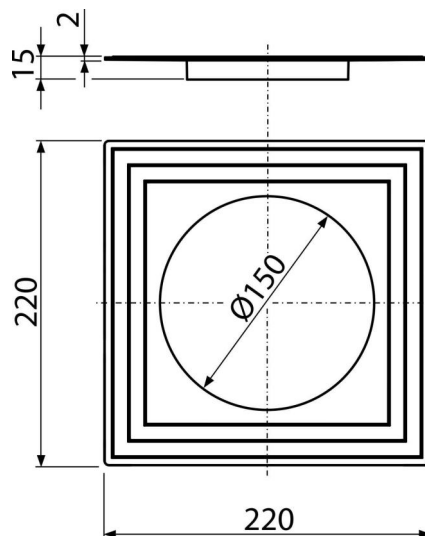


APV0005

Collar-2nd level insulation DN150



Application

For floor drains with a throat diameter of 150 mm

Features

- Material: polypropylene resistant to mechanical, chemical and thermal damage
- Allows connection of an insulating layer deposited directly beneath the pavement to the floor drain throat

Scope of supply

- Collar 2nd level of insulation inner Ø150 mm

Order number, Logistic information

| Code | EAN | Weight (piece packing palett) | Dimensions (piece packing) | Quantity (packing palett) |
|---------|---------------|--------------------------------------|---------------------------------|--------------------------------|
| APV0005 | 8595580507596 | 0,08 0,08 - kg | 220x15x220 - mm | 1 - pc |

Warranty

2/2 years *