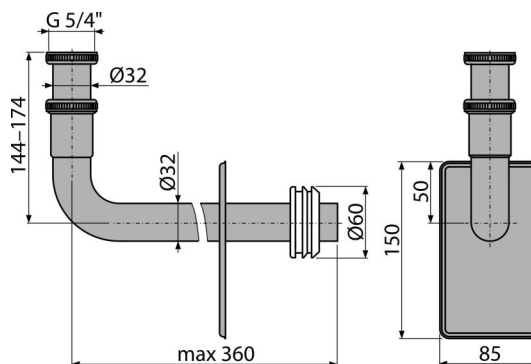


A438

Metal elbow DN32, 5/4" nut



Application

For the connection between concealed trap and wash-basin

Features

- Stainless steel cover plate
- Material: chrome-plated metal
- Possibility of height adjustment
- Connection to traps A45B, A45C
- Designed for use with concealed traps A45B, A45C
- High scratch resistance

Scope of supply

- Metal pipe
- Cover of stainless steel
- Collar
- Nut to connect wash-basin waste 5/4"

Order number, Logistic information

Code	EAN	Weight (piece packing palett)	Dimensions (piece packing)	Quantity (packing palett)
A438	8595580511371	0,43 6,43 200,0 kg	300×70×190 590×390×240 mm	15 420 pcs

Warranty	Customs code	Norms
2/3 years *	74182000	EN 274 - 1