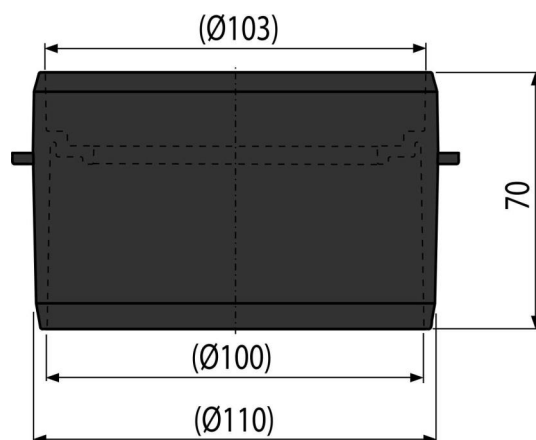


AVZ-P001

Socket for connection to the waste pipe DN110



Application

For connecting to waste DN110
For outdoor drain channels

Features

- Can be attached to the drain body with two screws
- Material with UV stabilizer against aging, fading and degradation of plastic
- Material: polypropylene filled with talc resistant to mechanical, chemical and thermal damage
- Used for vertical connection of the drain channel to the waste system DN110 mm

Scope of supply

- Fixation screw 3.5×13 - 2 pcs
- Throat

Order number, Logistic information

Code	EAN	Weight (piece packing palett)	Dimensions (piece packing)	Quantity (packing palett)
AVZ-P001	8595580511470	0,13 6,32 121,0 kg	115×115×70 590×390×240 mm	50 800 pcs

Warranty

2/2 years *

Norms

EN 476