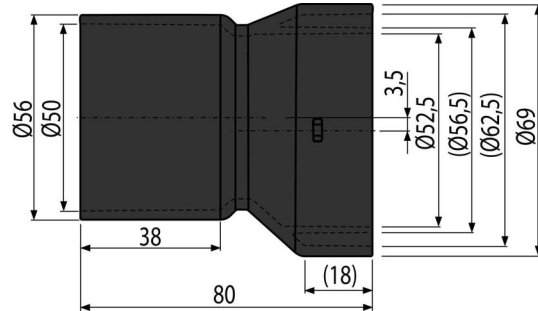


AVZ-P003

Adapter for connection to a side inlet DN50



Application

For connecting side inlet DN50
For outdoor drain channels

Features

- Can be attached to the drain body with two screws
- Material with UV stabilizer against aging, fading and degradation of plastic
- Material: polypropylene filled with talc resistant to mechanical, chemical and thermal damage
- Serves to supply water to the drain channel

Scope of supply

- Adapter DN50 mm
- Fixation screw 3.5×13 - 2 pcs

Order number, Logistic information

Code	EAN	Weight (piece packing palett)	Dimensions (piece packing)	Quantity (packing palett)
AVZ-P003	8595580511517	0,06 3,19 71,0 kg	80×70×70 590×390×240 mm	50 800 pcs

Warranty

2/2 years *

Norms

EN 476