

# AVZ103-R104

## Outdoor drain channel 100 mm with metal frame and galvanized grid C250

### Application

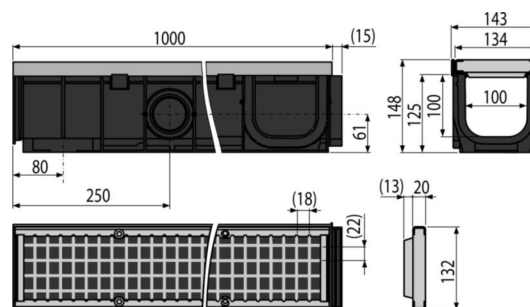
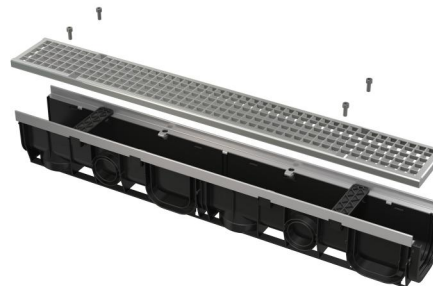
For drainage of professional parking areas for passenger cars, pedestrian zones, side bands on roads and adjacent sidewalks

### Features

- Numerous ribbing for a firm fixation within surrounding material
- Metal vertical flange reinforces the drain edges
- The cover of the side opening can also be used as an inlet connector – Ø75 mm
- Material with UV stabilizer against aging, fading and degradation of plastic
- Material: polypropylene filled with talc resistant to mechanical, chemical and thermal damage
- Modular system – optional connection to form "I", "L", "T" or "X" shapes
- Galvanized welded grid – fixed to the drain using four stainless steel screws, mesh size 12x18 mm
- Prepared slots for using the locking bars to anchor the drain in concrete
- Ready for optional use of the odour trap with a grid for collection of the dirt
- Water connection from the side of the drain is possible at four locations – Ø50 mm
- Sophisticated and solid locking mechanism for simple connection of the individual drains
- Robust construction – self-supporting
- Easy access to the drain – easy to clean
- Bottom outlet waste connection Ø110 mm
- Lock system allows easy connecting without additional fixing elements

### Scope of supply

- Installation spacer 2 pcs
- Stainless steel screws for fixing the grid to the drain, 4 pcs
- Galvanized grid – welded – load class C250
- Drain body with metal frame



### Order number, Logistic information

Code	EAN	Weight (piece   packing   palett)	Dimensions (piece   packing)	Quantity (packing   palett)
AVZ103-R104	8595580511685	9,32   9,32   299,7 kg	148x1015x145   1800x1200x800 mm	1   30 pcs

Warranty  
2/6 years \*

Norms  
EN1433

### Technical specifications

- Total installation height 148 mm
- Waste pipe diameter 110 mm
- Flow profile of the drain 95,3 cm<sup>2</sup>
- Load class C250 25000 kg
- Inlet cross-section of galvanized grid 659,2 cm<sup>2</sup>