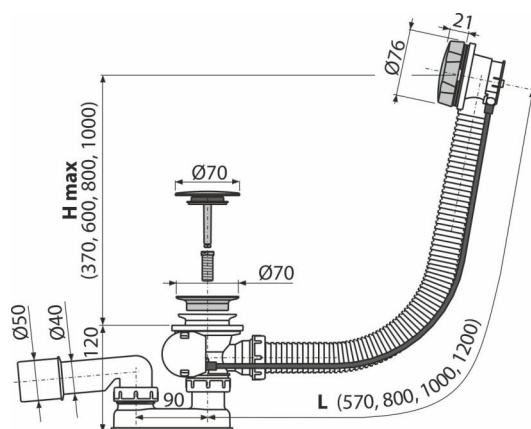


# A55KM-80

Bath pop-up waste and trap, metal



### Application

To drain the water from the bath to the waste  
For bathtubs with drain outlet Ø52 mm  
For standard size bathtubs

### Features

- The length of the bathtub trap 80 cm
- Overflow flexi pipe
- Closing waste by pop-up mechanism
- Bath waste and overflow system
- Wet odour trap with swivel elbow

### Scope of supply

- Assembly kit
- Chrome-plated metal control knob
- Chrome-plated stainless steel outlet grid
- Chrome-plated plastic plug
- Waste and trap body with overflow
- Profiled seal
- Odour trap of polypropylene, thermally and chemically resistant, longitudinally welded

### Order number, Logistic information

Code	EAN	Weight (piece   packing   palett)	Dimensions (piece   packing)	Quantity (packing   palett)
A55KM-80	8595580513931	80 mm 0,83   9,97   179,6 kg	380x85x145   590x430x390 mm	12   192 pcs

### Warranty

2/3 years \*

### Norms

EN 274

### Technical specifications

- Resistance of odour trap against the pressure 588 Pa
- Flow rate 51,6 l/min
- Overflow flow rate 42 l/min
- Thermal resistance 95 °C
- Odour trap 50 mm