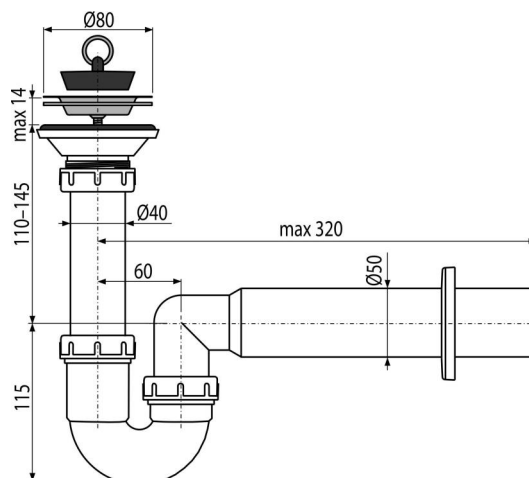


# A464-DN50

Shower waste and trap DN80



### Application

For shower trays and sinks with drain outlet Ø52 mm

### Features

- Material: polypropylene
- Connection to waste pipe Ø50 mm

### Scope of supply

- Stainless steel outlet grid
- Plastic rosette
- Waste and trap body
- PVC plug

### Order number, Logistic information

Code	EAN	Weight (piece   packing   palett)	Dimensions (piece   packing)	Quantity (packing   palett)
A464-DN50	8595580514860	50 mm 0,39   9,69   175,0 kg	320x100x210   590x430x390 mm	25   400 pcs

### Warranty

2/3 years \*

### Norms

EN 274

### Technical specifications

- Resistance of odour trap against the pressure 588 Pa
- Flow rate 48,6 l/min
- Odour trap 50 mm