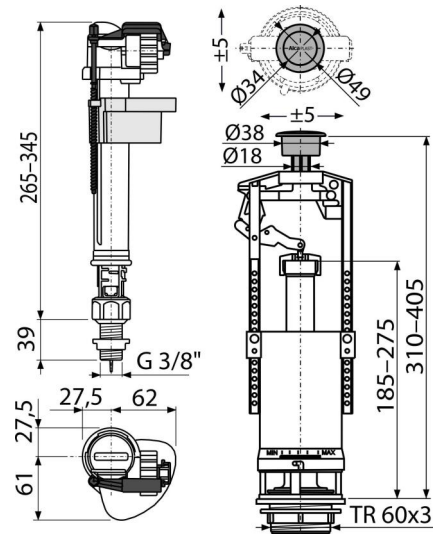


SA2000S 3/8" CHROM

Fill and flush kit with STOP button



Application

For ceramic flushing cistern
For replacement

Features

- STOP button to adjust the amount of discharged water
- The design allows optimum height adjustment of the valve according to the height of the cistern
- Low sensitivity to the changing pressure in the water main
- Option of the setting the button off the axis of the valve
- Adjustable water level
- Plastic thread length 39 mm
- Smooth closing without any shocks
- START/STOP chrome button
- START/STOP flushing mechanism (flushing is terminated by pressing the button again)
- Built-in filter to trap dirt

Scope of supply

- Fixation set: screw M8x65 – 2 pcs
- Flush valve A17-3/8"
- Seal kit
- Flush valve A2000

Order number, Logistic information

| Code | EAN | Weight (piece packing palett) | Dimensions (piece packing) | Quantity (packing palett) |
|--------------------|---------------|--------------------------------------|---------------------------------|--------------------------------|
| SA2000S 3/8" CHROM | 8595580515492 | 0,72 14,37 249,9 kg | 400x200x110 590x430x390 mm | 20 320 pcs |

Warranty

2/3 years *

Customs code

84818019

Norms

EN 14124, EN 14055

Technical specifications

- Acoustic group II <30 dB
- Recommended operating pressure 0,5-0,8 MPa
- Functional requirements class I
- Working range 0,05-0,8 MPa
- Height adjustment range 310-405 mm