

# APV1324

**Floor drain 105×105/50 mm side outlet, stainless steel grid, stainless steel flange and collar-2nd level insulation, combined odour trap SMART**

### Application

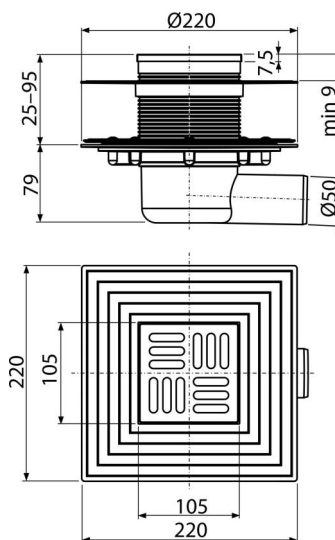
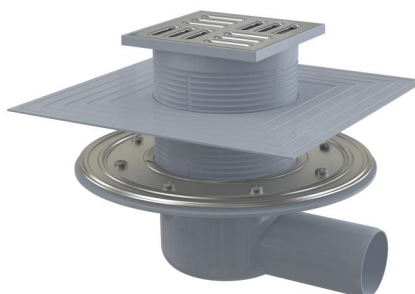
For wheelchair access  
 For drainage of floor level showers  
 For the interior, where it is not expected to regularly use the drain (laundry, boiler rooms, cellars)

### Features

- Side connection to waste Ø50 mm
- Combined odour trap SMART
- Compatibility with floor drains parts including wet, dry and combined odour trap SMART
- Collar-2nd level of insulation for connecting to waterproofing layer beneath the pavement
- Material: stainless steel AISI 304, DIN 1.4301
- Material: polypropylene resistant to mechanical, chemical and thermal damage
- Mechanically cleanable trap up to the waste pipe
- Stainless steel grid 102×102×5 mm
- Stainless steel collar for firm attachment of waterproofing membrane or building waterproofing fabric
- Wide insulation collar for connection to waterproofing construction
- Water column and mechanical flap effectively prevent the penetration of odours from the sewer
- Height adjustable throat 25–95 mm

### Scope of supply

- Floor drain throat 105×105 mm
- Combined odour trap SMART
- Collar-2nd level of insulation inner Ø105 mm
- Stainless steel grid
- Stainless steel flange + assembly set
- Seal kit
- Floor drain body Ø50 mm, side outlet



### Order number, Logistic information

Code	EAN	Weight (piece   packing   palett)	Dimensions (piece   packing)	Quantity (packing   palett)
APV1324	8595580518479	1,17   9,32   169,1 kg	355×135×235   560×380×475 mm	8   128 pcs

**Warranty** 2/6 years \*      **Norms** EN 1253

### Technical specifications

- Total installation height 88-174 mm
- Waste pipe diameter 50 mm
- Flow of the inlet grid 37 l/min
- Load class K3 300 kg
- Odour trap 30 mm