

APV3344

Floor drain 105×105/50/75 mm side outlet, stainless steel grid, stainless steel flange and collar-2nd level insulation, wet and dry odour trap

Application

For wheelchair access

For outdoor spaces where there may be a drop in temperature below freezing –

dry odour trap

For the interior, where there will be frequent use associated with the regular water

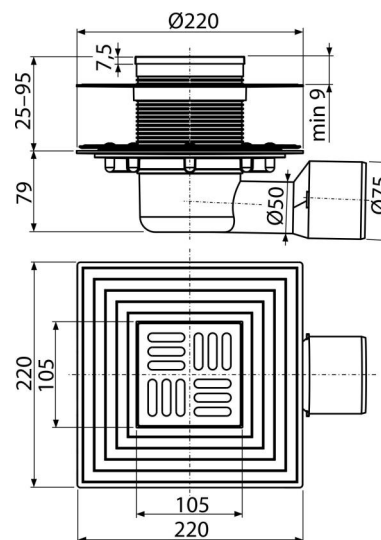
runoff into the floor drain (bathrooms) – wet odour trap

Features

- Side connection to waste Ø75/50 mm
- Compatibility with floor drains parts including wet, dry and combined odour trap SMART
- Collar-2nd level of insulation for connecting to waterproofing layer beneath the pavement
- Material: stainless steel AISI 304, DIN 1.4301
- Material: polypropylene resistant to mechanical, chemical and thermal damage
- Mechanically cleanable trap up to the waste pipe
- Stainless steel grid 102×102×5 mm
- Stainless steel collar for firm attachment of waterproofing membrane or building waterproofing fabric
- Wide insulation collar for connection to waterproofing construction
- Optional use dry or wet odour traps
- Height adjustable throat 25–95 mm
- Odour traps prevent the penetration of odours from the sewer

Scope of supply

- Floor drain throat 105×105 mm
- Collar-2nd level of insulation inner Ø105 mm
- Stainless steel grid
- Stainless steel flange + assembly set
- Seal kit
- Dry odour trap
- Drain body Ø50/75 mm, side outlet
- Wet odour trap



Order number, Logistic information

Code	EAN	Weight (piece packing palett)	Dimensions (piece packing)	Quantity (packing palett)
APV3344	8595580518516	1,25 9,96 179,4 kg	355×135×235 560×380×475 mm	8 128 pcs

Warranty

2/6 years *

Norms

EN 1253

Technical specifications

- Total installation height 104-174 mm
- Resistance of odour trap against the pressure 480 Pa
- Waste pipe diameter 75/50 mm
- The flow of the inlet grid (dry odour trap) 62 l/min
- The flow of the inlet grid (wet odour trap) 46 l/min
- Load class K3 300 kg
- Wet odour trap 51 mm