

AGV4S

Rain drum 300×155/125/110 mm straight outlet, grey

Application

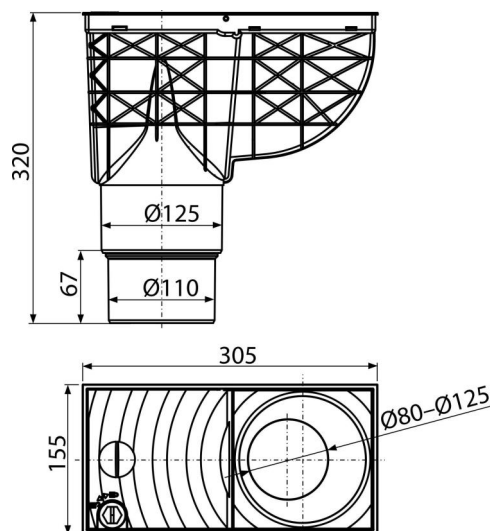
- For installation outside buildings
- For draining the rainwater and surface water to sewerage system
- For connecting gutter downspouts

Features

- Color: gray
- Limits the transmission of the odours from the sewer
- Eccentric rings for connecting the gutter downspouts 80, 90, 100, 110 and 125 mm
- The material contains UV stabilizers against fading and aging of plastic
- Material: polypropylene enriched with glass fiber – resistant to mechanical, chemical and thermal damage
- Option to buy a stainless steel basket against the invasion of rodents from the waste
- Option to buy a universal insert for round and square gutter downspouts
- Plastic basket can be easily removed and cleaned
- After installation in the interlocking pavement, the visible parts of the rain drum can be swapped for parts in black colour
- Direct connection to waste – 110, 125 mm
- Steeper gradient of the rain drum body enables a faster and bigger water flow towards the sewer
- Dry odour trap
- The lock prevents unintentional opening of the lid, overflow of water during heavy rains

Scope of supply

- The flap limiting the transmission of the odours from the sewer
- Basket for catching dirt and leaves
- Set of inlet rings for gutter downspouts diameter 80, 90, 100, 110, 125 mm
- Drain body DN110/125 mm straight outlet
- Lid with lock



Order number, Logistic information

Code	EAN	Weight (piece packing palett)	Dimensions (piece packing)	Quantity (packing palett)
AGV4S	8595580519292	1,24 4,94 94,1 kg	315×335×165 655×335×345 mm	4 60 pcs

Warranty

2/6 years *

Norms

EN 1253, EN 1451

Technical specifications

- Flow rate 396 l/min