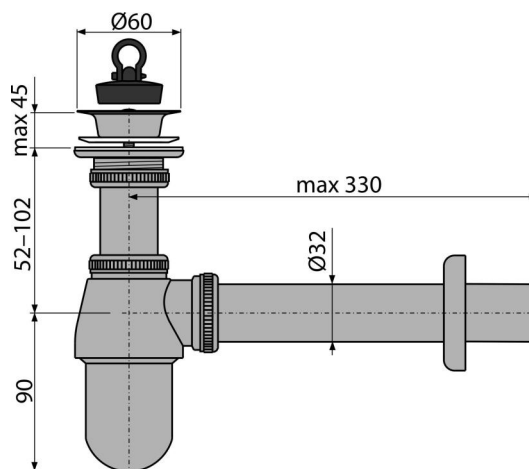


A437

Wash-basin trap, metal DN32, with metal waste 5/4"



Application

For wash-basin

Features

- Material: chrome-plated brass
- Connection to waste pipe Ø32 mm
- Set of wash-basin metal trap and metal waste
- High scratch resistance

Scope of supply

- Stainless steel outlet grid
- Metal rosette
- Waste and trap body
- PVC plug

Order number, Logistic information

Code	EAN	Weight (piece packing palett)	Dimensions (piece packing)	Quantity (packing palett)
A437	8595580520588	0,72 14,37 422,5 kg	320x60x110 590x240x390 mm	20 560 pcs

Warranty

2/3 years *

Norms

EN 274

Technical specifications

- Flow rate 34 l/min
- Thermal resistance 95 °C
- Odour trap 50 mm